



# SEMICONDUCTORS

EIAJ Type No.  
2SB493

## GERMANIUM PNP ALLOY JUNCTION TRANSISTOR

### APPLICATION:

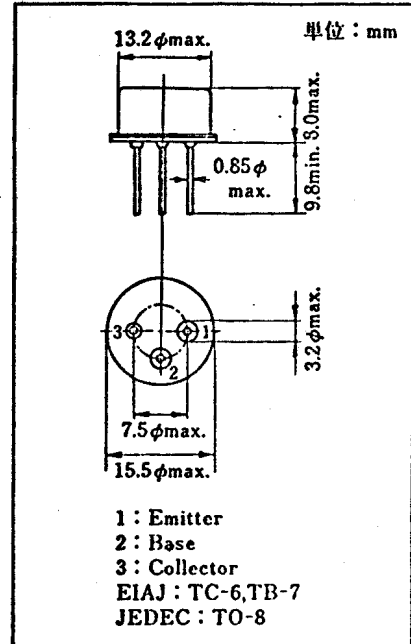
- Strobe/DC Converter

### FEATURES:

- Low Collector-Emitter Saturation Voltage

### ABSOLUTE MAXIMUM RATINGS (Ta=25°C)

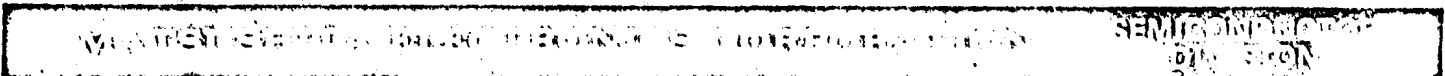
Collector-Base Voltage (-V <sub>CB0</sub> ) .....	40V
Collector-Emitter Voltage (-V <sub>CE0</sub> ) .....	20V
Emitter-Base Voltage (-V <sub>EB0</sub> ) .....	14V
Collector Current (-I <sub>C</sub> ) .....	3A
Peak Collector Current (-I <sub>CM</sub> ) .....	5A
Power Dissipation (P <sub>C</sub> ) .....	9W
Junction Temperature (T <sub>j</sub> ) .....	90°C
Storage Temperature (T <sub>stg</sub> ) .....	-55~+75°C



### ELECTRICAL CHARACTERISTICS (Ta=25°C)

Characteristic	Symbol	Conditions	Min.	Typ.	Max.	Unit
Collector Cutoff Current	-I <sub>CEO</sub>	-V <sub>CE</sub> =20V, I <sub>B</sub> =0			10	mA
Collector Cutoff Current	-I <sub>CB0</sub>	-V <sub>CB</sub> =40V, I <sub>E</sub> =0			1	mA
Emitter Cutoff Current	-I <sub>EB0</sub>	-V <sub>CB</sub> =10V, I <sub>C</sub> =0			1	mA
DC Current Gain	h <sub>FE</sub>	-V <sub>CB</sub> =0, I <sub>E</sub> =3A	40			
Transition Frequency	f <sub>T</sub>	-V <sub>CB</sub> =2V, I <sub>E</sub> =0.1A	300			KHz

The device specifications are subject to change for improvement without prior notice.



This datasheet has been downloaded from:

[www.DatasheetCatalog.com](http://www.DatasheetCatalog.com)

Datasheets for electronic components.